



KaVo GENTLEsilence 8000 B/C

GENTLEsilence – low noise with high torque.

GENTLEsilence: small, quiet, powerful.

- > **Comfortable** for both dentist and patient thanks to very low noise level during treatment (57 dB(A))
- > **Best visual access** thanks to very small head dimensions (H = 13.1 mm; Ø = 12.5 mm)
- > **More space** thanks to the patented KaVo 100° / 19° head / knee angle combination
- > **Save working time** by highly efficient preparations with high performance (8000 B: 19 W; 8000 BS: 17 W; 8000 BN: 18 W)
- > **Improved hygiene:** the integrated anti-reflux system prevents ingress of contaminated water spray

8000 B Mat.-Nr. 1.000.0800
 8000 C Mat.-Nr. 1.000.2800
 8000 BS Mat.-Nr. 1.000.5600
 8000 BN Mat.-Nr. 1.000.5700



GENTLEsilence 8000 B/C:
 Double protection for a long service life



24 months warranty.



KaVo
Master Series

A true master knows no compromise.

- Highest treatment quality
- Maximum treatment comfort
- Highest patient satisfaction



KaVo
Expert Series

Real experts know their strengths.

- Best price-endurance ratio
- Proven configuration solutions
- Highest efficiency

KaVo GENTLEsilence 8000 B/C

Endurance is all in the head.

KaVo GENTLEsilence 8000 B/C now with steel head casing and anti-reflux system.

KaVo *Master Series*

new
 with steel head casing



KaVo. Dental Excellence.

Mat.-Nr.: 1.008.3209 09/10 en



KaVo. Dental Excellence.

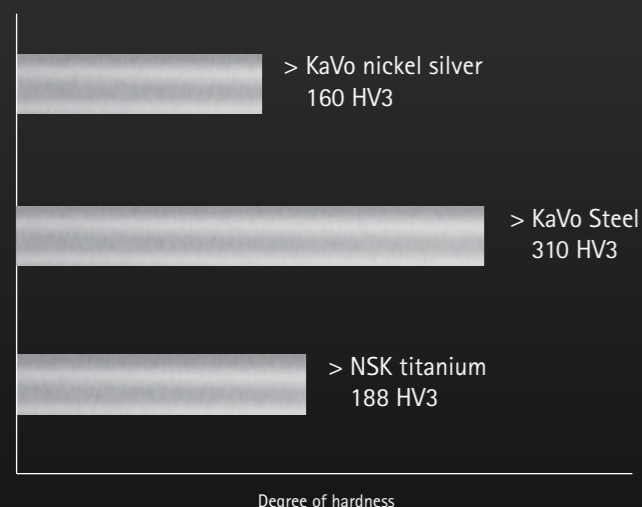
KaVo Dental GmbH · D-88400 Biberach/Riß · Telefon +49 7351 56-0 · Fax +49 7351 56-1488 · www.kavo.com

Even more durable thanks to the steel head casing.

- > Head casing made from high-quality steel
- > Impervious to corrosion
- > Robust against mechanical damage

GENTLEsilence 8000 with steel head casing – extremely durable by comparison.

Comparison of degrees of hardness (Measured with 30 N impact pressure)



Maximum durability due to double protection.



Even more durable thanks to the anti-reflux system.

- > Optimum conservation of value as there is little ingress of contamination into the interior of the handpiece
- > Best specification for effective reprocessing and improved hygiene

1. protection: steel head casing

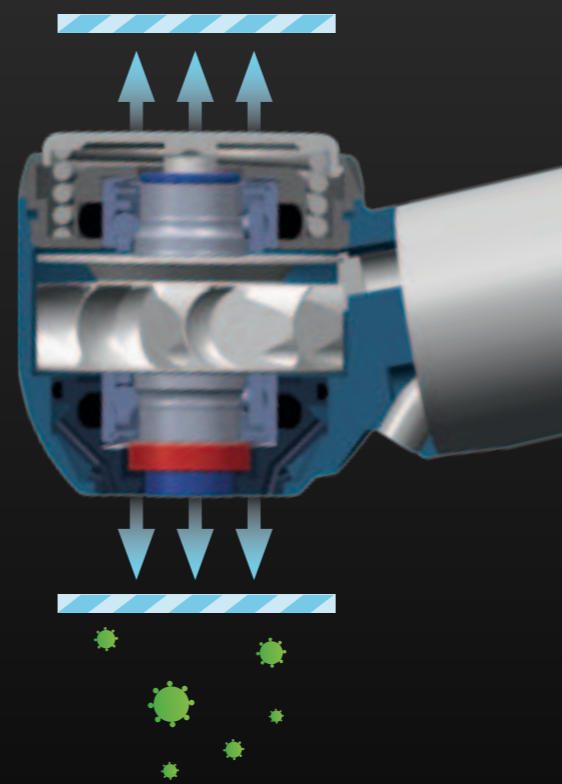
> GENTLEsilence 8000 with steel head casing – for steely long-term protection.

2. protection: anti-reflux system

> GENTLEsilence with anti-reflux system – for hygienic long-term protection.



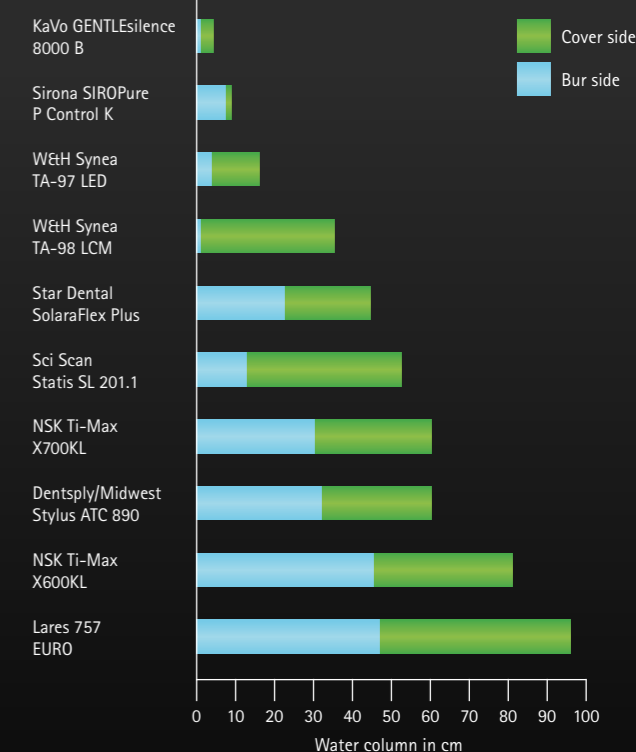
Extremely robust against mechanical damage, e.g. dropping onto the floor.



Overpressure - increases during slowing down phase of the cartridge

GENTLEsilence 8000 B – minimal aspiration properties.

Comparison of turbine aspiration properties*



* Sealed measuring under vacuum during the slowing down phase (measured in cm of water)



KaVo. Dental Excellence.