



KaVo SUPERtorque 660 B:

KaVo SUPERtorque – powerful in all situations.



SUPERtorque 660 B:

- > **Reliable, relaxed working** thanks to proven KaVo technology and quality (quietness: 62 dB(A))
- > **Efficient and fast preparations** thanks to an 18 Watt performance
- > **4-port spray** for optimum cooling
- > **Maximum safety** thanks to chuck retention power of up to 30 N
- > **Efficient working** due to the patented KaVo angle combination

Mat.-Nr. 1.002.2200 (660 B) with illumination
Mat.-Nr. 1.002.2100 (660 C) without illumination



SUPERtorque 660 B:
Double protection for a long service-life



12 months warranty.



KaVo
Master Series

A true master knows no compromise.

- Highest treatment quality
- Maximum treatment comfort
- Highest patient satisfaction



KaVo
Expert Series

Real experts know their strengths.

- Best price-endurance ratio
- Proven configuration solutions
- Highest efficiency

KaVo SUPERtorque 660 B:

Endurance is a requirement for experts.

KaVo SUPERtorque 660 B new with steel head casing and anti-reflux system.

KaVo *Expert Series*

new with steel head casing



KaVo. Dental Excellence.

Mat.-Nr.: 1.008.3214_09/10_en



KaVo. Dental Excellence.

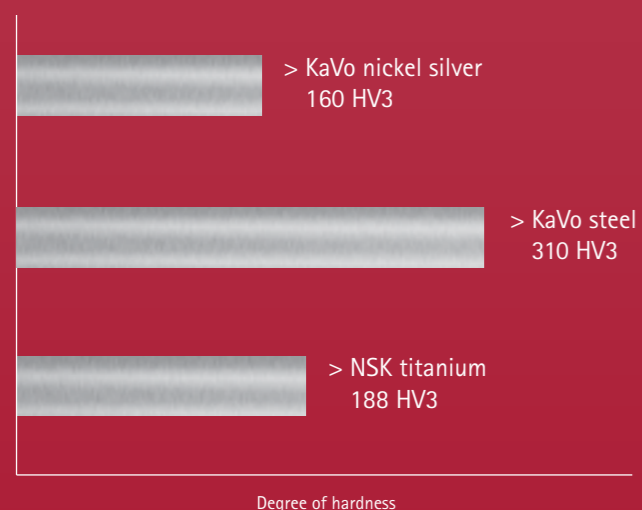
KaVo Dental GmbH · D-88400 Biberach/Riß · Telefon +49 7351 56-0 · Fax +49 7351 56-1488 · www.kavo.com

Even more durable thanks to the head casing made from steel.

- > Casing of the head made from high-quality steel
- > Impervious to corrosion
- > Robust against mechanical damage

SUPERtorque 660 B with steel head casing – extremely durable by comparison.

Comparison of degrees of hardness (Measured with 30 N impact pressure)



1. protection: steel head casing

- > SUPERtorque 660 B with steel head casing – for steely, long-term protection.

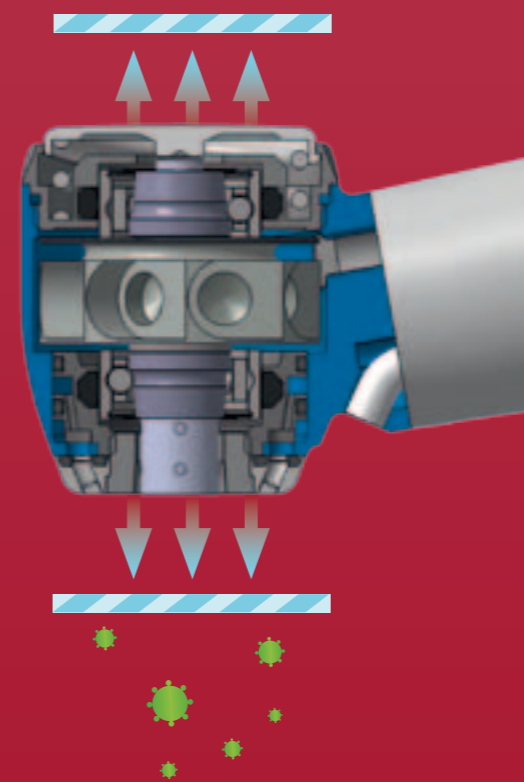


Extremely robust against mechanical damage, e.g. dropping onto the floor.

Maximum durability due to double protection.

2. protection: anti-reflux system

- > SUPERtorque with anti-reflux system – for hygienic, long-term protection.



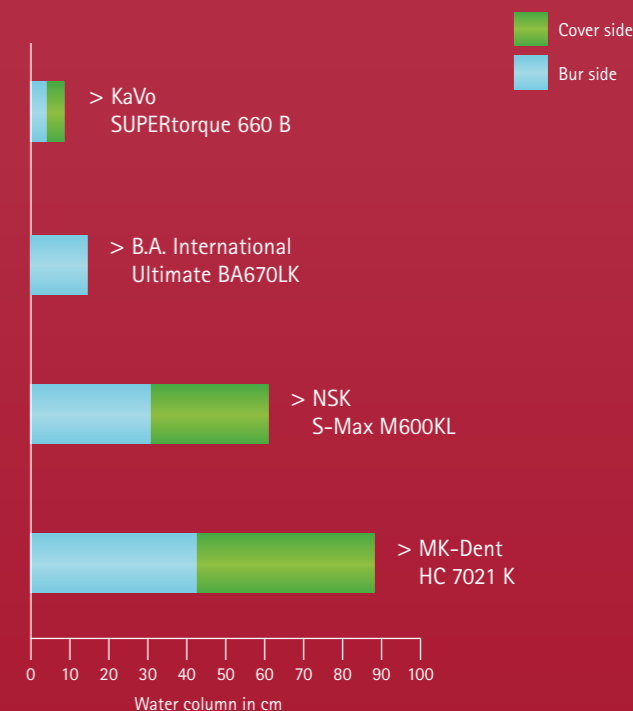
Overpressure – increases during slowing down phase of the cartridge

Even more durable thanks to the anti-reflux system.

- > Optimum conservation of value as there is little ingress of contamination into the interior of the handpiece
- > Best specification for effective reprocessing and improved hygiene

SUPERtorque 660 B – reduced aspiration properties.

Comparison of turbine aspiration properties*



* Sealed measuring under vacuum during the slowing down phase (measured in cm of water)



KaVo. Dental Excellence.