

KaVo BELLAtorque® Mini 637 B/C

Small format
with great
performance.



KaVo. Dental Excellence.

Whenever things get tight.

BELLAtorque Mini LUX 637 B.
Light turbine.
REF: 0.553.2210



Clear-sighted
The precise glass rod on the BELLAtorque ensures that the preparation field is illuminated to the maximum degree with **25,000 lux** - even after having been sterilised and thermo-disinfected thousands of times.



High performance
Impressive performance: improved dynamic power of **15 Watts**. This makes coming to grips with even difficult preparations a simple matter.



Sometimes size is crucial: whether in the treatment of children, elderly patients or when working in the molar area - **whenever things get tight**, KaVo BELLAtorque mini turbines provide genuine high performance.

As the ideal complement to turbines with larger head sizes, they also display an impressive level of performance.

You can choose between the BELLAtorque Mini and the BELLAtorque Mini LUX with its light-radiating eye.

KaVo BELLAtorque Mini. Proper treatment from the smallest one.

Remarkable grip
The tried-and-tested KaVo press-button chuck system for secure grip and easy bur change.



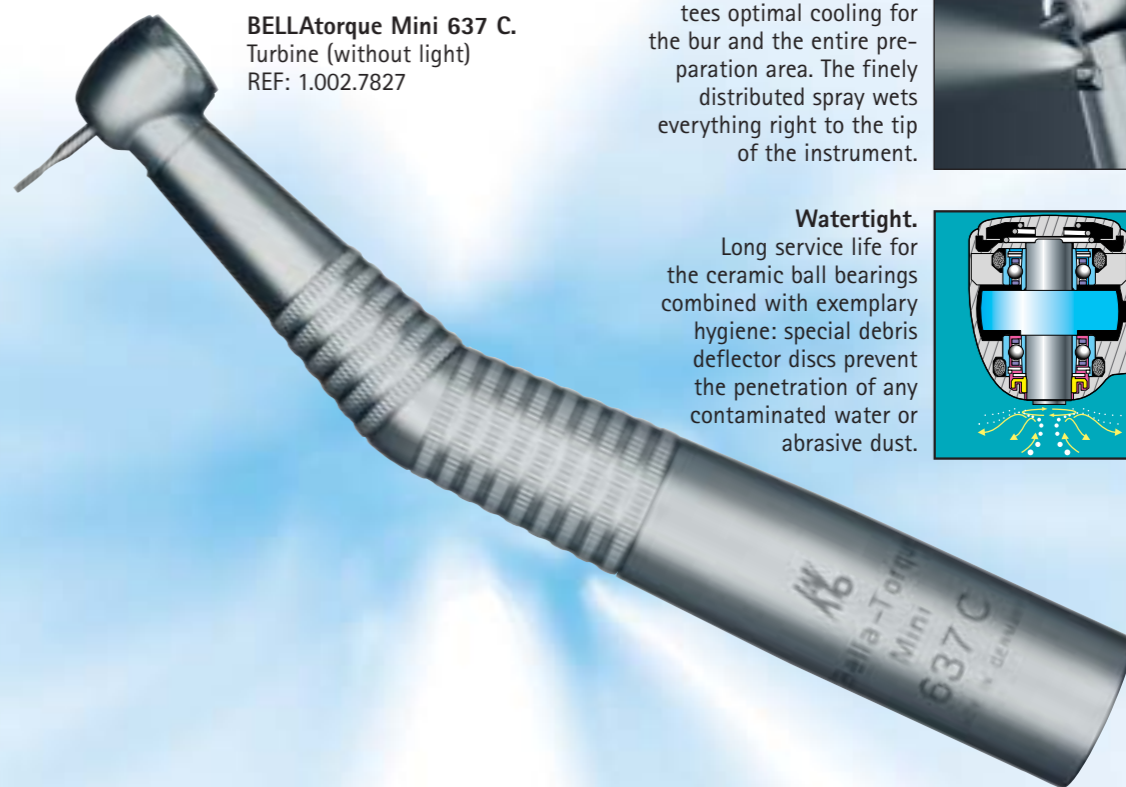
Pleasantly quiet
Precision requires a steady hand: vibration-free running is not only easy on the nerves, but on the ears as well - runs at only **65 dB(A)**.



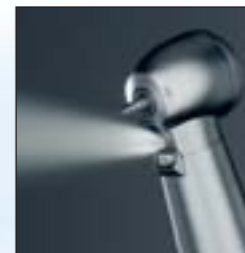
KaVo original ceramic ball bearings
The tried-and-tested technology for safe working and a long cartridge service life. Vibration-free operation allows for precise working with minimal application force.



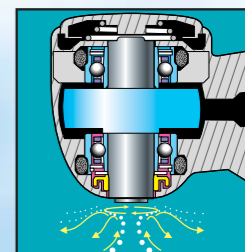
BELLAtorque Mini 637 C.
Turbine (without light)
REF: 1.002.7827



Always cool.
The single port, fan-shaped spray guarantees optimal cooling for the bur and the entire preparation area. The finely distributed spray wets everything right to the tip of the instrument.



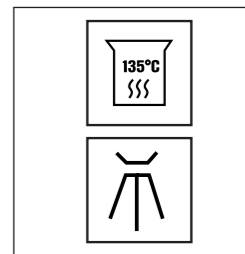
Watertight.
Long service life for the ceramic ball bearings combined with exemplary hygiene: special debris deflector discs prevent the penetration of any contaminated water or abrasive dust.



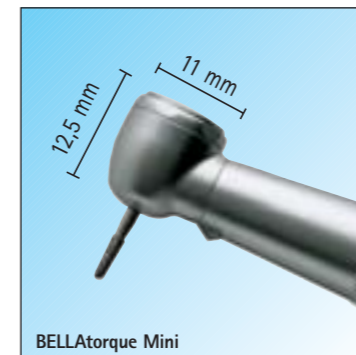
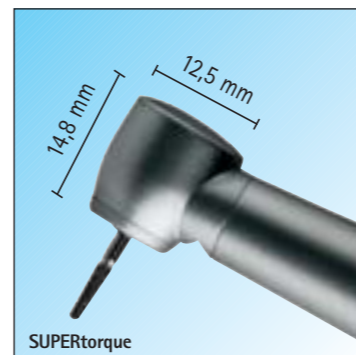
MULTIflexible.
The KaVo MULTIflex coupling represents the link to a comprehensive range of excellent KaVo instruments for a large variety of indications, and is, of course, compatible with BELLAtorque Mini turbines as well.



Pure quality
As with all KaVo turbines, BELLAtorque Mini turbines are also compatible with every hygiene process. They may be sterilised at **135°C** in autoclaves and are fully washable in the thermo-disinfector.



Small-head format
The small head provides you with ample space and optimal access - even in the molar area. It is suitable for use with diamond burs of overall length up to a max. of 21.0 mm.



Systematic care.

Care can amount to an expensive item. However, for the service life of a dental instrument, regular care is a crucial factor - as a complement to the quality properties of the instrument's materials and manufacturing.

KaVo supplies you with the appropriate care tools in effective and easy-to-use form. They are designed as the optimal solution in response to the care requirements of KaVo products.

KaVo SPRAYrotor 3N

Intensive cleaning with rotation, into even the smallest spray channels.

KaVo QUATTROcare 2104/A

The innovative care system automatically cleans and preserves four instruments at a time - in a flash.



KAVOspray

500 ml of efficiency. Manual care for all KaVo angle-pieces, handpieces, base parts, heads and turbines.



KaVo. Dental Excellence.